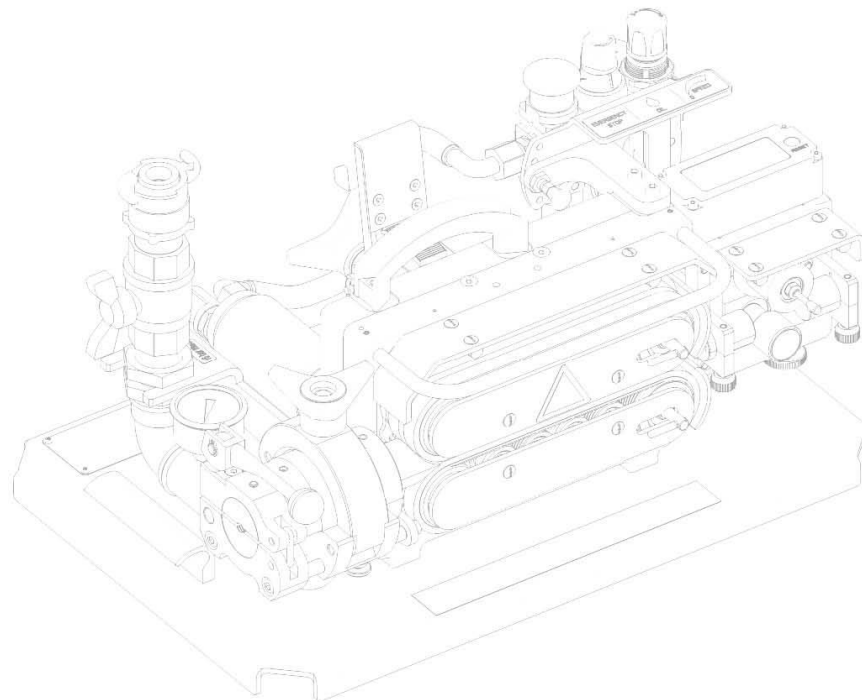


## AV-MINIJET driven jetting machine



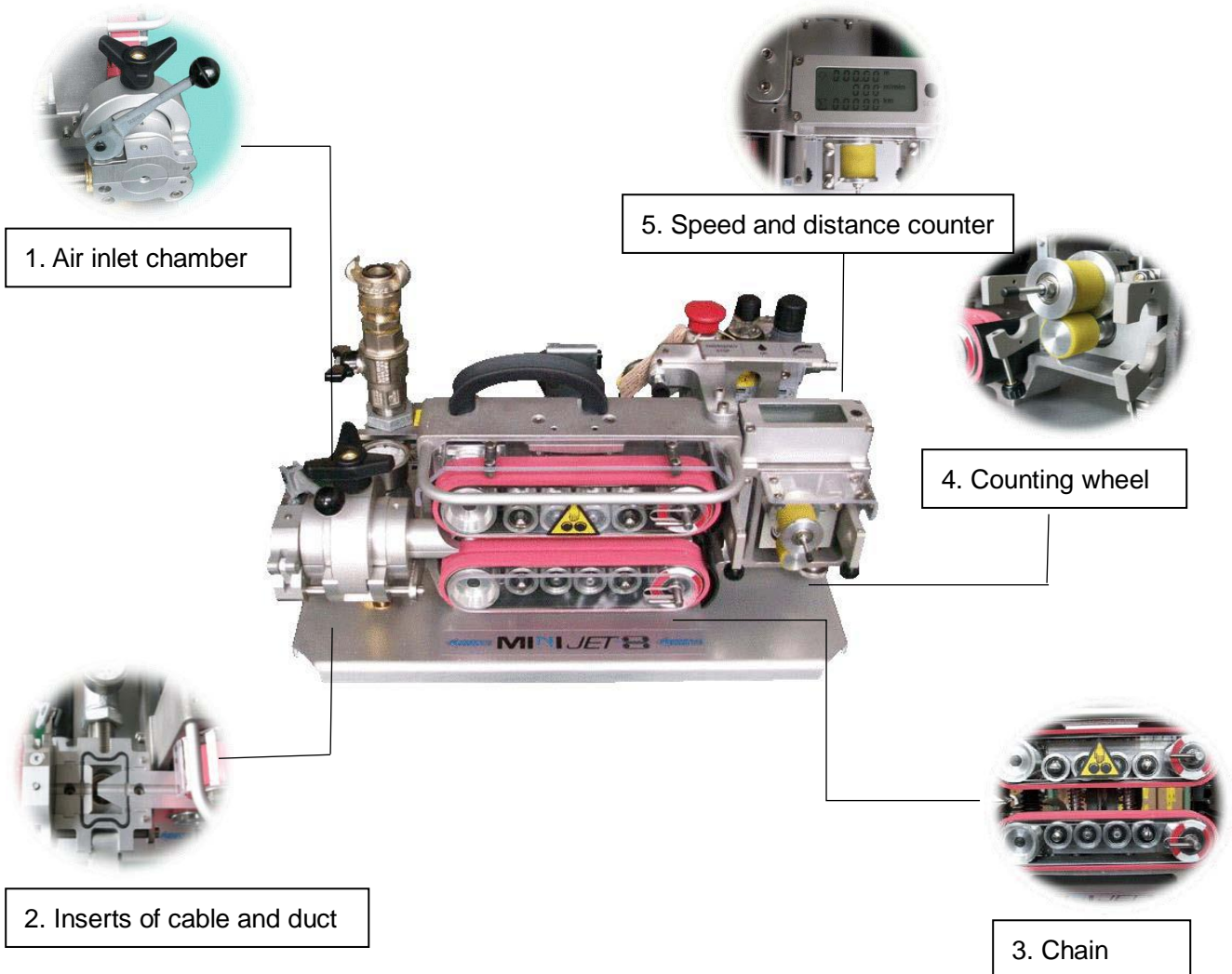
# Introduction

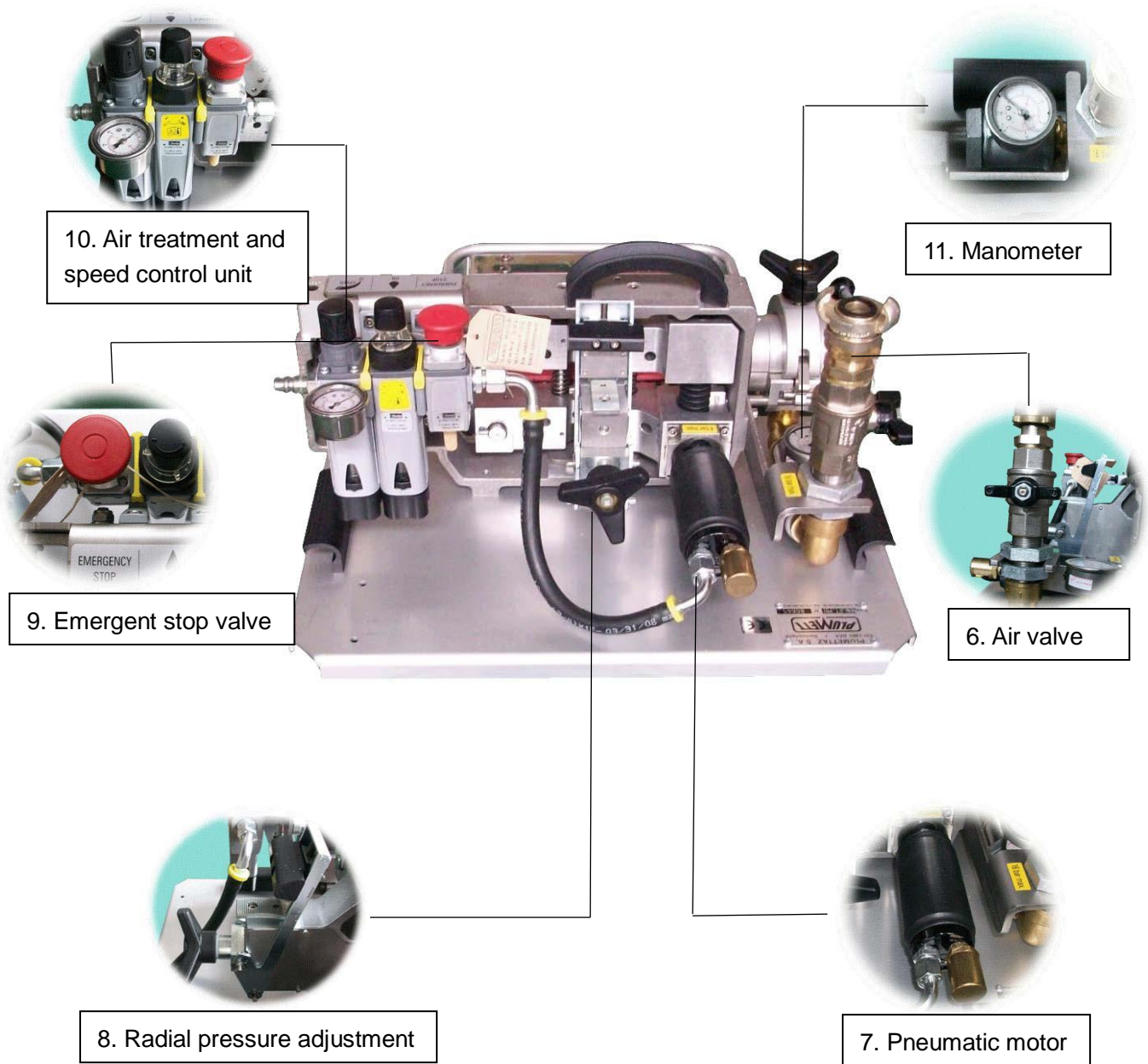
MINIJET is a small, light and efficient pneumatic driven jetting machine. With MINIJET cables with diameter range between 4 to 16 mm can be installed into duct OD 8 to 40 mm. With MINIJET introduction and release of cables and drive belts is quick as no tools are required. No vertical adjustment of the cable pusher is required MINIJET driving device (concentric belt drive) as the cable follows the same axis. It can install micro/mini cable and a bundle of two micro-tubes with use of the special Multiduct accessories. Apparatus designed for jetting and floating cables and microtube bundles in preinstalled ducts.

## Specification

| Standard version                                       | MiniJet with pneumatic drive | MiniJet with hydraulic drive |
|--|------------------------------|------------------------------|
| Type   | P02                          | H02                          |
| Cable dia. [mm]  | 4-16                         | 4-16                         |
| Duct OD [mm]   | 7-42                         | 7-42                         |
| Drive unit   | Pneumatic                    | Hydraulic                    |
| Max air consumption of motor [m3/mn]                   | 0.5 (at 4 bar)               | -                            |
| Pushing force [N]                                      | 0-300                        | 0-500                        |
| Linear pressure on cable [N/cm]                        | 0-100                        | 0-100                        |
| Max speed [m/min]                                      | 125                          | 125                          |
| Hydraulic power pack, type of engine                   | -                            | Honda Gasoline GX200         |
| Hydraulic power pack, engine, max power [kW]           | -                            | 4.1                          |
| Hydraulic power pack, engine, max speed rpm [min-1]    | -                            | 3600                         |
| Hydraulic power pack, pump. delivery rating [U/min]    | -                            | 17                           |
| Hydraulic power pack, pump. hydraulic pressure [bar]   | -                            | 70                           |
| Max. air pressure [bar]                                | 16                           | 16                           |
| Max water pressure [bar]                               | 25                           | 25                           |
| Dimension of apparatus l x w x h [mm]                  | 518x372x299                  | 518x372x298                  |
| Dimension of apparatus with case l x w x h [mm]        | 620x420x340                  | 620x420x340                  |
| Dimension of tools and accessories case l x w x h [mm] | 620 x420 x280                | 620x420x280                  |
| Weight of machine [kg]                                 | 20                           | 20.5                         |
| Total weight [kg]                                      | 39,300                       | 105                          |

| Standard version                                   | MiniJet with pneumatic drive   | MiniJet with hydraulic drive |
|--|--|------------------------------|
| Standard   | 1 box for the MiniJet<br>1 box for tools, inserts, wear parts and consumables (seals, lubricant, etc.)<br>1 set of tools<br>1 speed and distance indicator<br>1 air hose with quick release coupling Mody to connect to compressor<br>2 beltV (Poly-V)<br>1 bottle of lubricant Jetting Lube<br>1 bottle of lubricant Micro Jetting Lube<br>1 operation and maintenance manual |                              |
| Specification are subject to change without notice |  |                              |





|   |                            |    |                                      |
|---|----------------------------|----|--------------------------------------|
| 1 | Air inlet chamber          | 6  | Air valve                            |
| 2 | Inserts of cable and duct  | 7  | Pneumatic motor                      |
| 3 | Chain                      | 8  | Radial pressure adjustment           |
| 4 | Counting wheel             | 9  | Emergent stop valve                  |
| 5 | Speed and distance counter | 10 | Air treatment and speed control unit |
|   |                            | 11 | Manometer                            |

# Application

The MiniJet is designed for blowing or floating telecommunication cables (optical fibre, coax or multipair) or micro-ducts in preinstalled ducts.